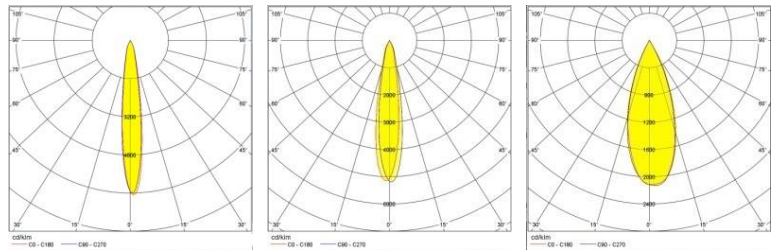
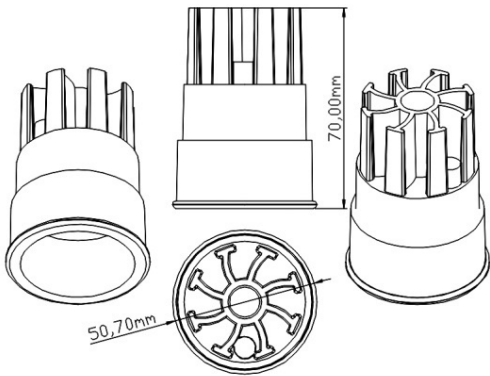


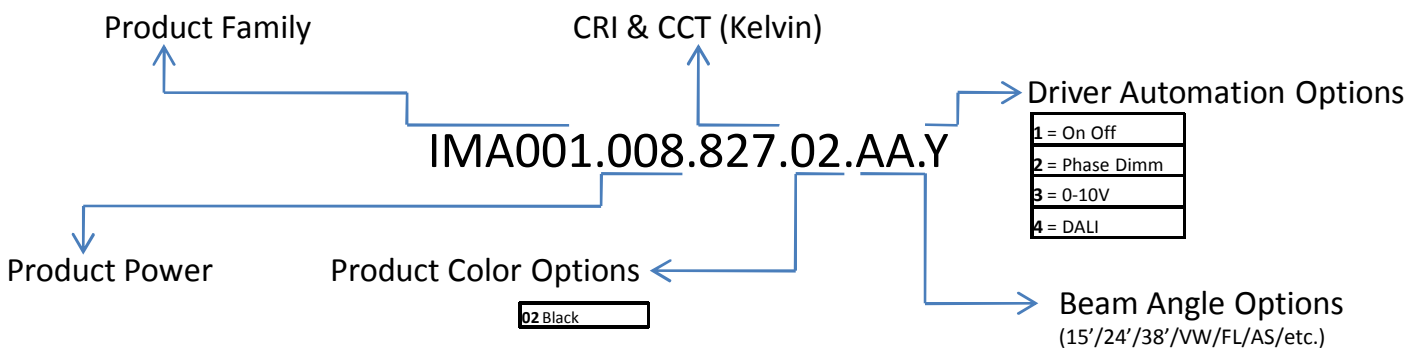


51mm diameter single optic COB LED module.  
 For use in all PULSE LED luminaires.  
 2 drive current 200mA/250mA.  
 Dimmable option with the proper drivers.  
 Ready to run with IP54 connector set & cables.

- Height - 70mm • Overall Diameter -  $\varnothing 50,70$  mm
- Weight - 110g • 2700/3000/4000K CCT as standard
- 80+ / 90+ CRI options • 15°/24°/38° options
- Max drive current is 250mA
- Dimming option\*\* - Phase, 0-10V and DALI
- For use in all MR16 size downlights



Reference Code	Product Description	CCT (K)	CRI	Beam Angle	Opt.Cur. (mA)	Power (W)*	Lum.Flux (Lm)
IMA001.008.827.02.AA.Y	LED- ON 51 Module 9mm COB	2700	80+	15°/24°/38°	200mA	8W	750 Lm
IMA001.008.830.02.AA.Y	LED- ON 51 Module 9mm COB	3000	80+	15°/24°/38°	200mA	8W	800 Lm
IMA001.008.840.02.AA.Y	LED- ON 51 Module 9mm COB	4000	80+	15°/24°/38°	200mA	8W	850 Lm
IMA001.011.827.02.AA.Y	LED- ON 51 Module 9mm COB	2700	80+	15°/24°/38°	250mA	11W	950 Lm
IMA001.011.830.02.AA.Y	LED- ON 51 Module 9mm COB	3000	80+	15°/24°/38°	250mA	11W	1000 Lm
IMA001.011.840.02.AA.Y	LED- ON 51 Module 9mm COB	4000	80+	15°/24°/38°	250mA	11W	1050 Lm



\*Module wattage. The figure quoted as module wattage is based on the drive current and the modules voltage. The figure quoted on the measured lumens table above allows for losses from a driver. This figure may change depending on the driver.

\*\*Dimming. Whilst ACROLITE can offer the majority of its luminaires with various dimming options, it remains the responsibility of the specifier/installer to check and ensure compatibility of any control equipment used. Additional cabling may be required depending on the dimming protocol specified.

For COB LEDs. Reasonable endeavours will be taken to match the light quality, LED bin and/or colour temperature of the LED' used for any Replacements/additions, it may not always be possible to do so, due to the age of the product, changes in the LED suppliers product specification and availability. For any particular batch of LED modules, ACROLITE supply LED's from specific bins, which is equal or less than a 4-step MacAdam ellipse.

Modules. ACROLITE LED-ON modules are manufactured in accordance with EN 60231.