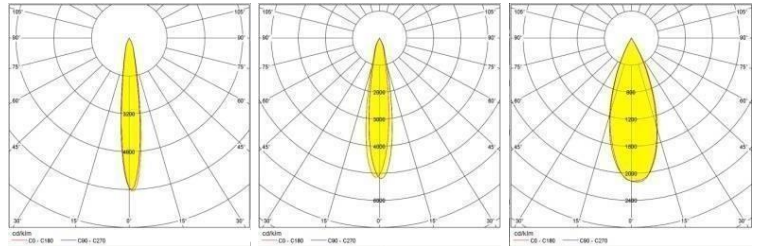
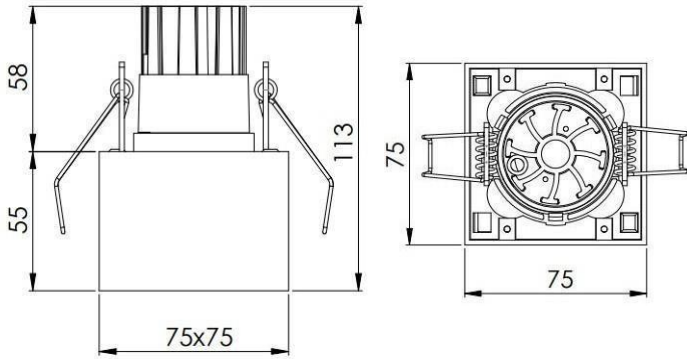




High sparkle control semi-surface mounted square spot. Suitable for all types of general lighting applications. A lighting solution compatible with all MR16 retrofit LED lamps and Ø51mm LED modules. Tool-free module or lamp installation. Various color options to match the design. Easy locking mechanism for body mounting and maintenance. Maintenance-free engineering plastic body. Long-lasting LED product with aluminum outer body. Long-lasting and lightweight design. No special tools required for ceiling mounting.

- Profile - 75x75mm
- Height with Module - 113mm
- Flame-retardant ABS Body Material
- 15°, 24°, 38° Beam Angle Options



Description	Power (W)	Lumen (lm)	CCT (Kelvin)	CRI	Angle	Current (mA) /Voltage (V)	Code
Pulse SSS Spot	8,0 W	750 Lm	2700 K	80+	15°, 24°, 38°	200 mA	IYA002.008.827.XX.AA.Y
Pulse SSS Spot	8,0 W	800 Lm	3000 K	80+	15°, 24°, 38°	200 mA	IYA002.008.830.XX.AA.Y
Pulse SSS Spot	8,0 W	850 Lm	4000 K	80+	15°, 24°, 38°	200 mA	IYA002.008.840.XX.AA.Y
Pulse SSS Spot	11,0 W	950 Lm	2700 K	80+	15°, 24°, 38°	250 mA	IYA002.011.827.XX.AA.Y
Pulse SSS Spot	11,0 W	1000 Lm	3000 K	80+	15°, 24°, 38°	250 mA	IYA002.011.830.XX.AA.Y
Pulse SSS Spot	11,0 W	1050 Lm	4000 K	80+	15°, 24°, 38°	250 mA	IYA002.011.840.XX.AA.Y

