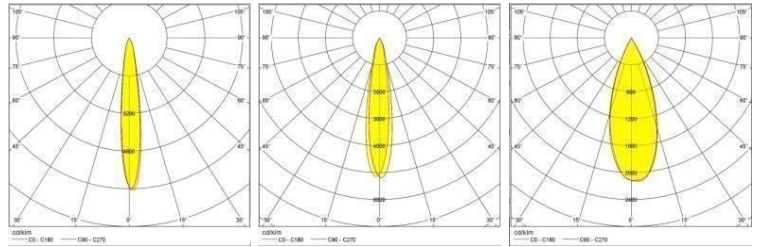
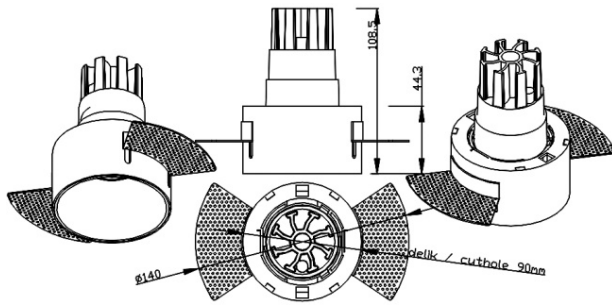




High sparkle control frameless (trimless) spot. Suitable for all types of general lighting applications. A lighting solution compatible with all MR16 retrofit LED lamps and Ø51mm LED modules. Tool-free module or lamp installation. Various frame and body color options to match the design. Mounting brackets suitable for all types of plasterboard thicknesses. Maintenance-free engineering plastic body. Long-lasting and lightweight design. Easy installation and maintenance with trimless special locking mechanism.

- Outer Diameter - Ø80mm
- Back of Ceiling Measurement - Ø140mm x 80mm
- Hole Diameter - Ø90mm
- Height without Module / Lamp - 45mm
- Height with Module / Lamp - 90-120mm
- Weight - 225g
- Flame-retardant ABS Body Material
- 15°, 24°, 38° Beam Angle Options



Description	Power (W)	Lumen (lm)	CCT (Kelvin)	CRI	Angle	Current (mA) /Voltage (V)	Code
Pulse RT Trimless Spot	8,0 W	750 Lm	2700 K	80+	15°, 24°, 38°	200 mA	IGA003.008.827.XX.AA.Y
Pulse RT Trimless Spot	8,0 W	800 Lm	3000 K	80+	15°, 24°, 38°	200 mA	IGA003.008.830.XX.AA.Y
Pulse RT Trimless Spot	8,0 W	850 Lm	4000 K	80+	15°, 24°, 38°	200 mA	IGA003.008.840.XX.AA.Y
Pulse RT Trimless Spot	11,0 W	950 Lm	2700 K	80+	15°, 24°, 38°	250 mA	IGA003.011.827.XX.AA.Y
Pulse RT Trimless Spot	11,0 W	1000 Lm	3000 K	80+	15°, 24°, 38°	250 mA	IGA003.011.830.XX.AA.Y
Pulse RT Trimless Spot	11,0 W	1050 Lm	4000 K	80+	15°, 24°, 38°	250 mA	IGA003.011.840.XX.AA.Y

