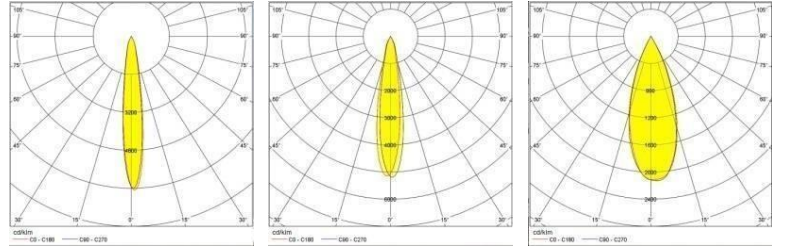
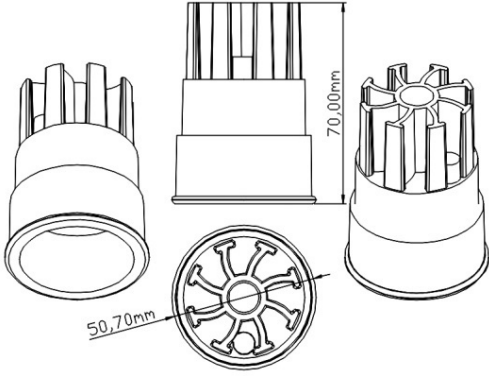


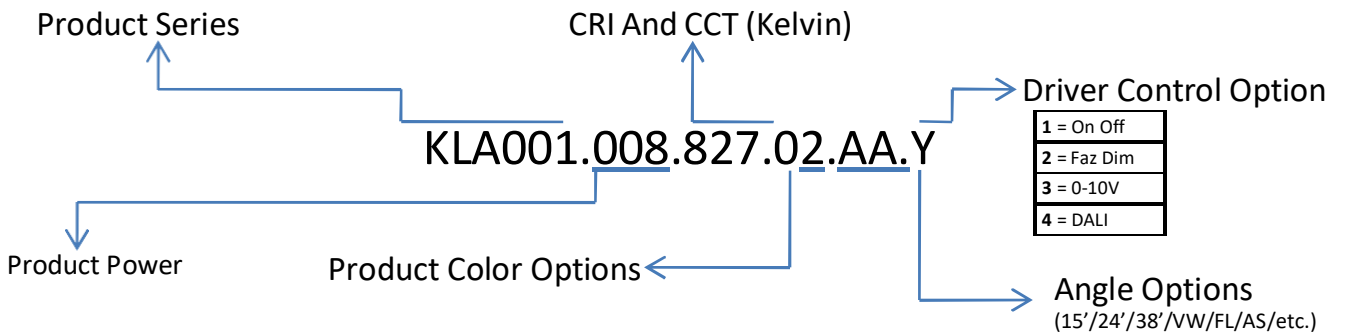


51mm diameter high-efficiency reflector COB LED module.  
Compatible with the entire PULSE LED product series.  
2 driver current options: 200mA/250mA.  
Dimming options available with suitable drivers.  
Plug-and-play feature with optional IP54 connector and cable.

- Height - 70mm
- Outer Diameter -  $\varnothing$ 50.70 mm
- Weight - 110g
- 2700/3000/4000K CCT options
- 80+ / 90+ CRI options
- 15°/24°/38° options
- Max drive current 250mA
- Dimming options - Phase, 0-10V, and DALI
- Compatible with all MR16 compatible downlights and spotlights.



Product Code	Product Description	CCT (K)	CRI	Beam Angle	Drive Current (mA)	Power (W)	Light Flux (Lm)
KLA001.008.827.00.AA.Y	Led-On Modül 9mm COB	2700	80+	15°/24°/38°	200mA	8W	750 Lm
KLA001.008.830.00.AA.Y	Led-On Modül 9mm COB	3000	80+	15°/24°/38°	200mA	8W	800 Lm
KLA001.008.840.00.AA.Y	Led-On Modül 9mm COB	4000	80+	15°/24°/38°	200mA	8W	850 Lm
KLA001.011.827.00.AA.Y	Led-On Modül 9mm COB	2700	80+	15°/24°/38°	250mA	11W	950 Lm
KLA001.011.830.00.AA.Y	Led-On Modül 9mm COB	3000	80+	15°/24°/38°	250mA	11W	1000 Lm
KLA001.011.840.00.AA.Y	Led-On Modül 9mm COB	4000	80+	15°/24°/38°	250mA	11W	1050 Lm



\* Module power value. The given value for module power is theoretical and depends on the driver current and module voltage. This value may vary depending on the driver used.

\*\* Dimming. While ACROLITE fixtures offer dimming options for many luminaires, it is the responsibility of the specifier/installer to verify and ensure compatibility with the control equipment used. Depending on the specified dimming protocol, additional wiring may be required.

COBLED'ler hakkında. ACROLITE LED'ler, ışık kalitesi ve/veya renk sıcaklığı stabilitesini sağlamak için güvenilir LED üreticilerinin standartlarını temel alır. ACROLITE, herhangi bir özel LED modül grubu için, 4 step MacAdam elipsine eşdeğer veya daha küçük değerlerde LED'ler sağlar. Modüller. ACROLITE LED-ON modülleri EN 60231'e uygun olarak üretilmektedir.