



High sparkle control spot. Suitable for all types of general lighting applications. Integrated lighting solution with LED-On Module. Compatible with all MR16 retrofit lamp options. Tool-free module or lamp installation.

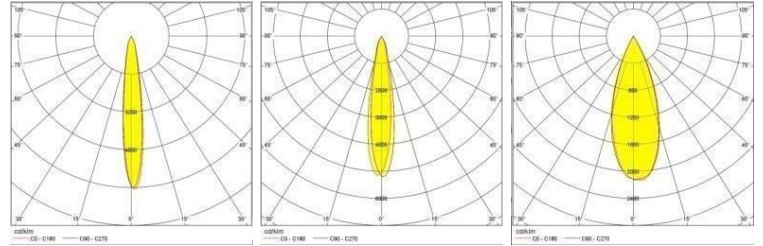
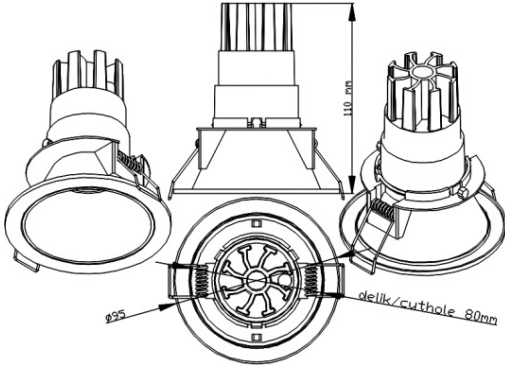
Various frame and body color options to match the design. Reliable ceiling mounting spring (black coated steel). Maintenance-free engineering plastic body.

Long-lasting and lightweight design.

No special tools required for ceiling mounting.



- Outer Diameter - $\varnothing 95\text{mm}$
- Hole Diameter - $\varnothing 80\text{mm}$
- Height without Module / Lamp - 45mm
- Height with Module / Lamp - 90-120mm
- Weight - 50g
- Flame-retardant ABS Body Material
- 15°, 24°, 38° Beam Angle Options



Açıklama	Power (W)	Lumen (lm)	CCT (Kelvin)	CRI	Açı	Current (mA) / Voltage (V)	Code
Pulse RR Spot	8,0 W	750 Lm	2700 K	80+	15°, 24°, 38°	200 mA	IGA001.008.827.XX.AA.Y
Pulse RR Spot	8,0 W	800 Lm	3000 K	80+	15°, 24°, 38°	200 mA	IGA001.008.830.XX.AA.Y
Pulse RR Spot	8,0 W	850 Lm	4000 K	80+	15°, 24°, 38°	200 mA	IGA001.008.840.XX.AA.Y
Pulse RR Spot	11,0 W	950 Lm	2700 K	80+	15°, 24°, 38°	250 mA	IGA001.011.827.XX.AA.Y
Pulse RR Spot	11,0 W	1000 Lm	3000 K	80+	15°, 24°, 38°	250 mA	IGA001.011.830.XX.AA.Y
Pulse RR Spot	11,0 W	1050 Lm	4000 K	80+	15°, 24°, 38°	250 mA	IGA001.011.840.XX.AA.Y

