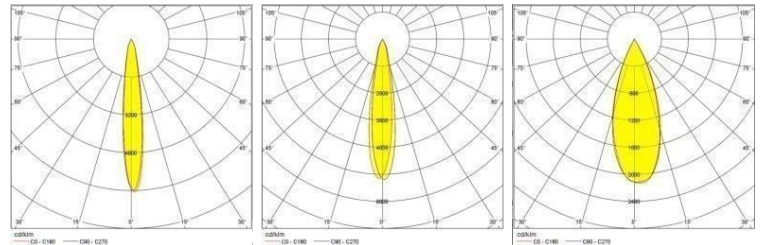
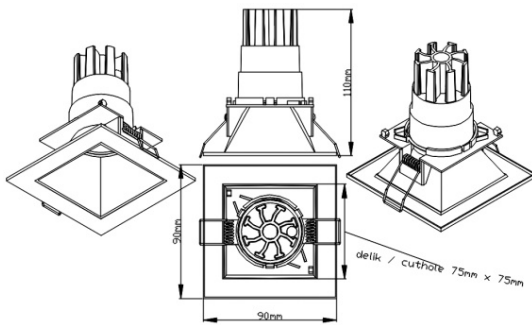




High sparkle control spot. Suitable for all types of general lighting applications. A lighting solution compatible with all MR16 retrofit LED lamps and Ø51mm LED modules. Tool-free module or lamp installation. Various frame and body color options to match the design. Reliable ceiling mounting spring (black coated steel). Maintenance-free engineering plastic body. Long-lasting and lightweight design. No special tools required for ceiling mounting.

- Outer Dimensions - 90mm x 90mm
- Hole Dimensions - 75mm x 75mm
- Height without Module / Lamp - 45mm
- Height with Module / Lamp - 90-120mm
- Weight - 50g
- Flame-retardant ABS Body Material
- 15°, 24°, 38° Beam Angle Options



Description	Power (W)	Lumen (lm)	CCT (Kelvin)	CRI	Angle	Current (mA) / Voltage (V)	Code
Pulse SR Spot	8,0 W	750 Lm	2700 K	80+	15°, 24°, 38°	200 mA	IGA002.008.827.XX.AA.Y
Pulse SR Spot	8,0 W	800 Lm	3000 K	80+	15°, 24°, 38°	200 mA	IGA002.008.830.XX.AA.Y
Pulse SR Spot	8,0 W	850 Lm	4000 K	80+	15°, 24°, 38°	200 mA	IGA002.008.840.XX.AA.Y
Pulse SR Spot	11,0 W	950 Lm	2700 K	80+	15°, 24°, 38°	250 mA	IGA002.011.827.XX.AA.Y
Pulse SR Spot	11,0 W	1000 Lm	3000 K	80+	15°, 24°, 38°	250 mA	IGA002.011.830.XX.AA.Y
Pulse SR Spot	11,0 W	1050 Lm	4000 K	80+	15°, 24°, 38°	250 mA	IGA002.011.840.XX.AA.Y

